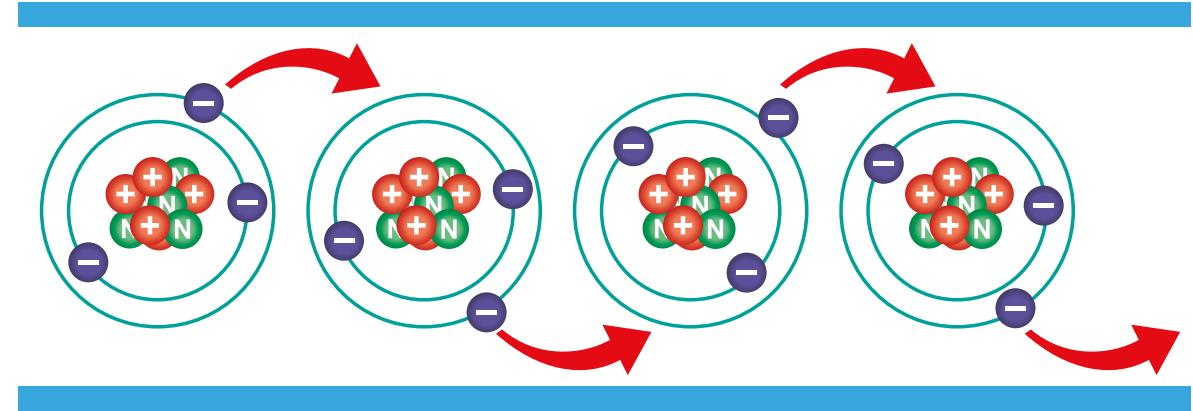
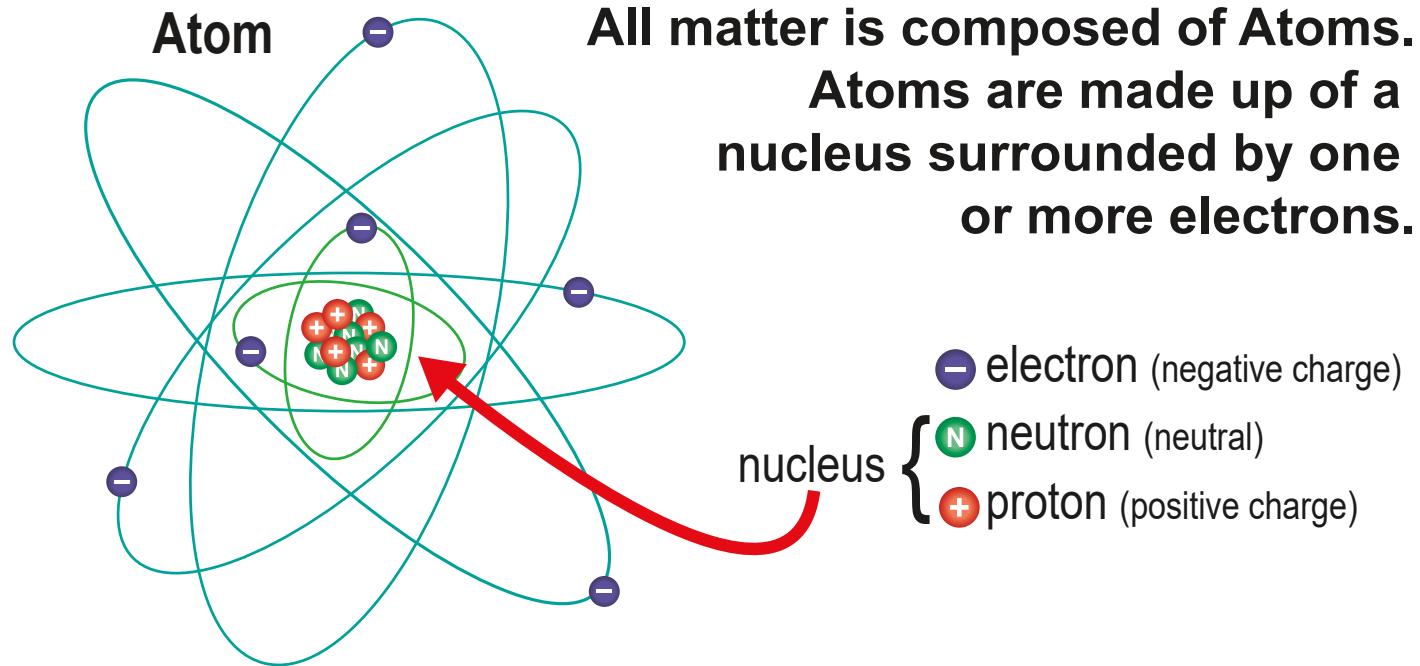
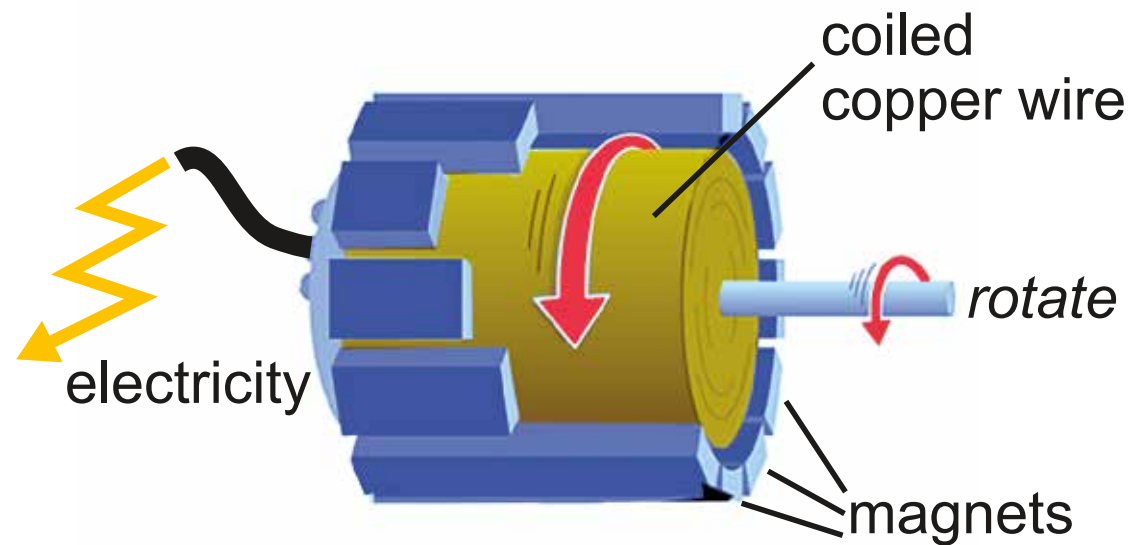


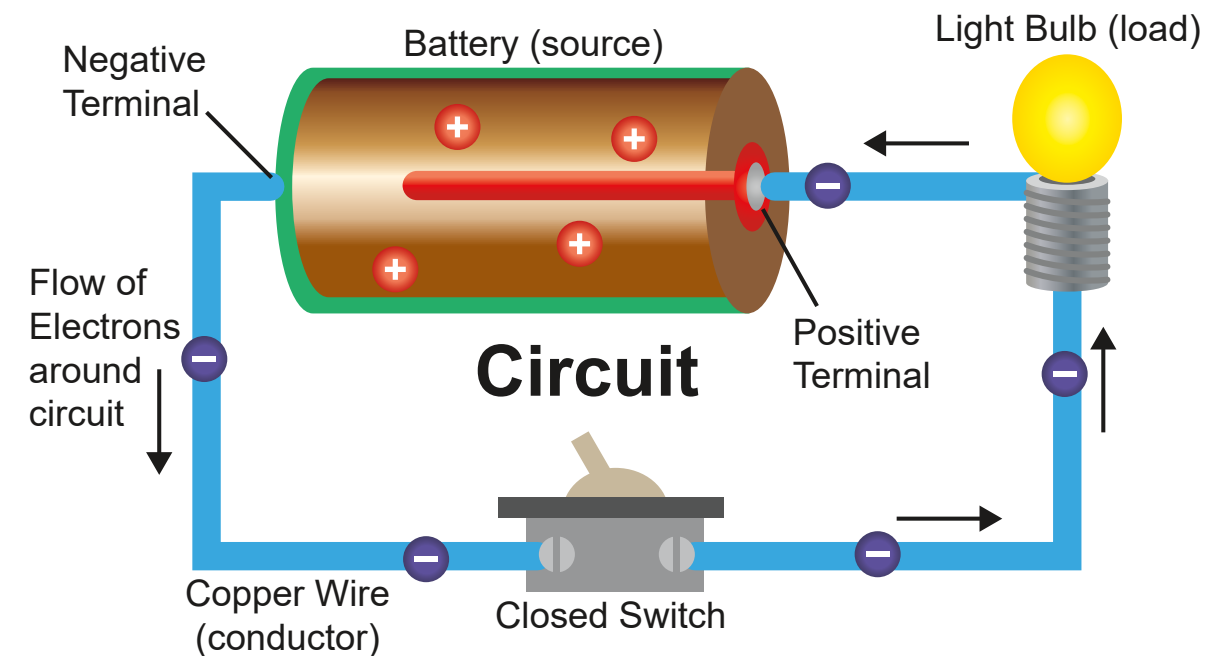
Understanding Electricity



What we call “electricity” is just the movement of electrons from one atom to the next, like dominoes.



Generators use magnets and motion to make electricity.



Batteries convert chemical energy into electricity.